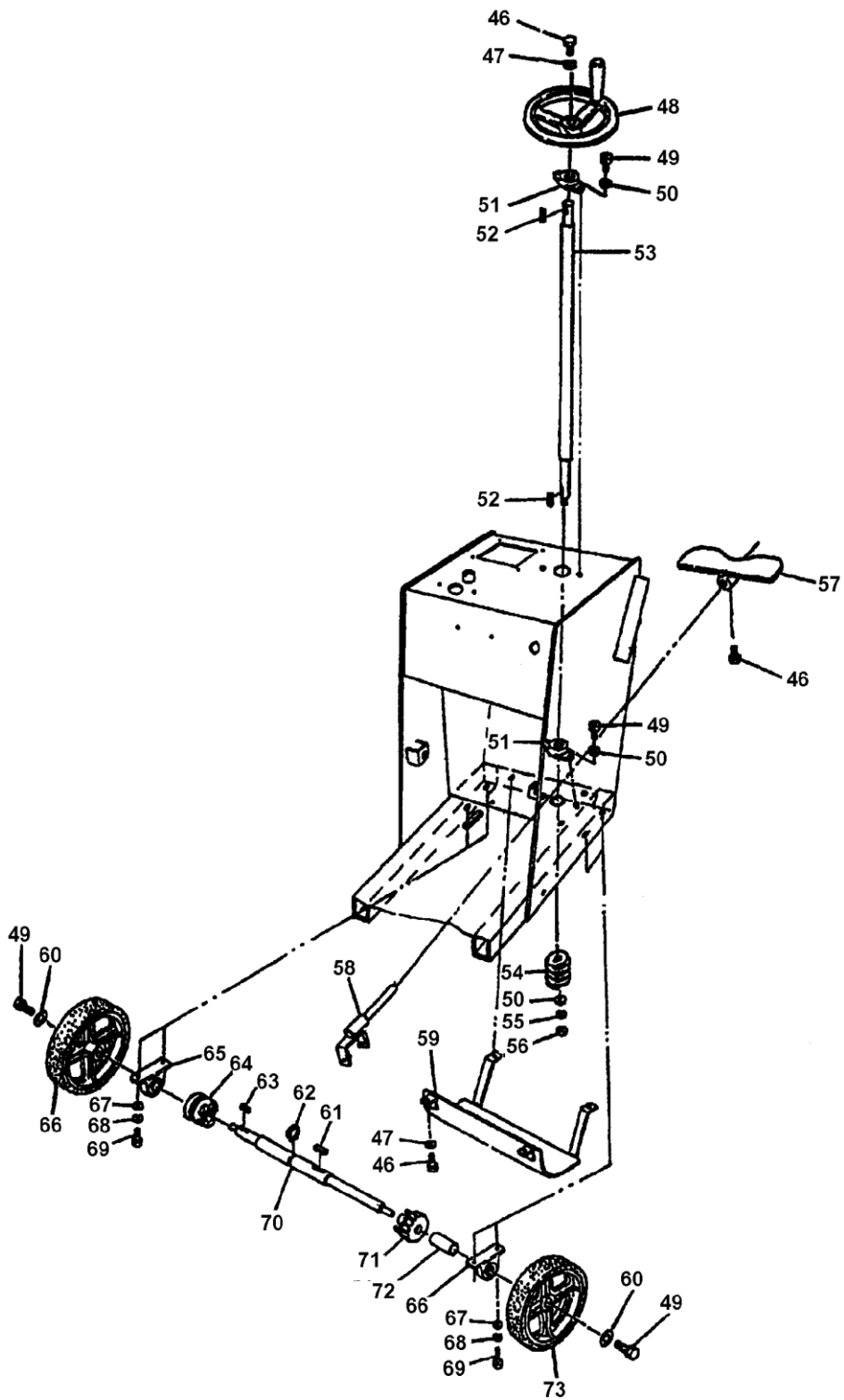


1. Major Components

1. Major Components

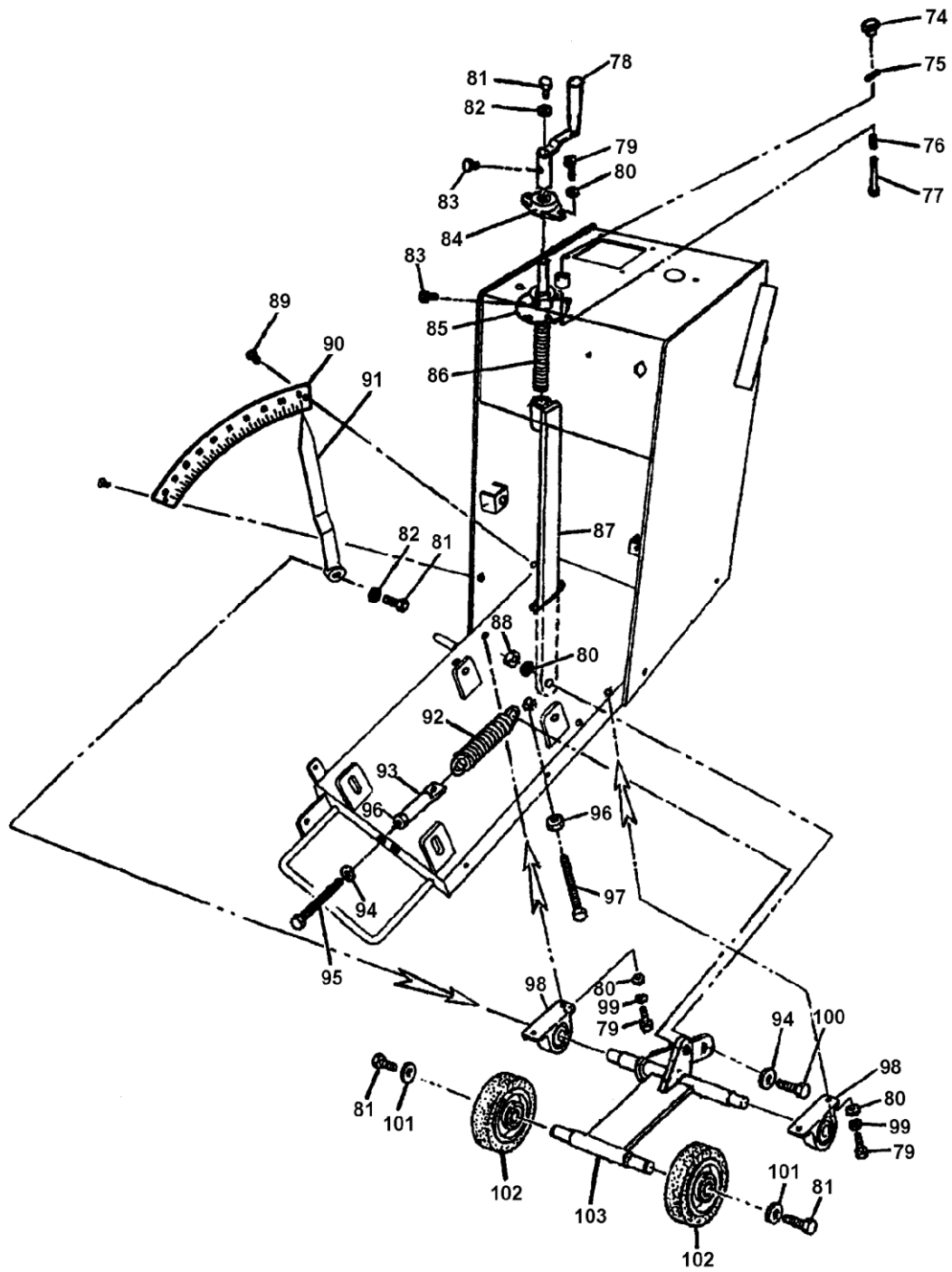
| ITEM NO. | PART NO. | DESCRIPTION | QTY |
|----------|-----------|------------------------|-----|
| 1 | 2010101 | BOLT M8 X 25 | 3 |
| 2 | 2010102 | WASHER 8 | 5 |
| 3 | 2010103 | INJECTION MOUTH | 1 |
| 4 | 2010104 | SEAL RING | 1 |
| 5 | 2010201 | ELBOW | 1 |
| 6 | 2010202 | COCK | 1 |
| 7 | 2010203 | PLASTIC PIPE | 3 |
| 8 | 2010204 | TEE | 1 |
| 9 | 2010301 | BOLT M10 X 25 | 6 |
| 10 | 2010302 | WASHER 10 | 5 |
| 11 | 2010303 | BLADE GUARD | 1 |
| 12 | 2010304 | NUT (BUTTERFLY) M10 | 1 |
| 13 | 2010305 | NUT M8 | 2 |
| 14 | 2010306 | PROTECTIVE MAT | 1 |
| 15 | 2010401 | LIFTING HOOK | 1 |
| 16 | 2010401 | WRENCH | 2 |
| 17 | 2010601 | HANDLE | 2 |
| 18 | 2010602 | KNOB | 3 |
| 19 | 2010701 | WATER TANK | 1 |
| 20 | 2010702 | WASHER 12 | 15 |
| 21 | 2010703 | SPRING WASHER | 13 |
| 22 | 2010704 | BOLT M12 X 30 | 10 |
| 23 | 2010705 | COCK | 1 |
| 24 | 2010801 | BELT GUARD | 1 |
| 25 | 2010802 | INNER GUARD | 2 |
| 26 | 2010901 | WASHER 6 | 1 |
| 27 | 2010902 | SCREW M6 X 12 | 1 |
| 28 | 2010903 | BASE ASSY. | 1 |
| 29 | 2010904-1 | BELT FOR DIESEL ENGINE | 3 |
| | 2010904-2 | BELT FOR PETROL ENGINE | 3 |
| 30 | 2011001 | WASHER | 1 |
| 31 | 2011002 | PULLEY, AXIS | 1 |
| 32 | 2011003 | BOLT M12 X 45 | 4 |
| 33 | 2011004 | BEARING | 2 |
| 34 | 2011005 | KEY 8 X 35 | 4 |
| 35 | 2011006 | PRINCIPAL AXIS | 1 |
| 36 | 2011007 | PIN 6 X 10 | 1 |
| 37 | 2011008 | BLADE FLANGE (INNER) | 2 |
| 38 | 2011009 | PIN | 1 |
| 39 | 2011011 | BLADE FLANGE (OUTER) | 2 |
| 40 | 2011012 | NUT | 1 |
| 41 | 2011013 | BLADE | 1 |
| 42 | 2011101 | POINTER | 1 |
| 43 | 2011102 | NUT | 1 |
| 44 | 2011103 | POINTER WHEEL | 1 |
| 45 | 2011104 | NUT M12 | 3 |



2. Transmission Assy.

2. Transmission Assy.

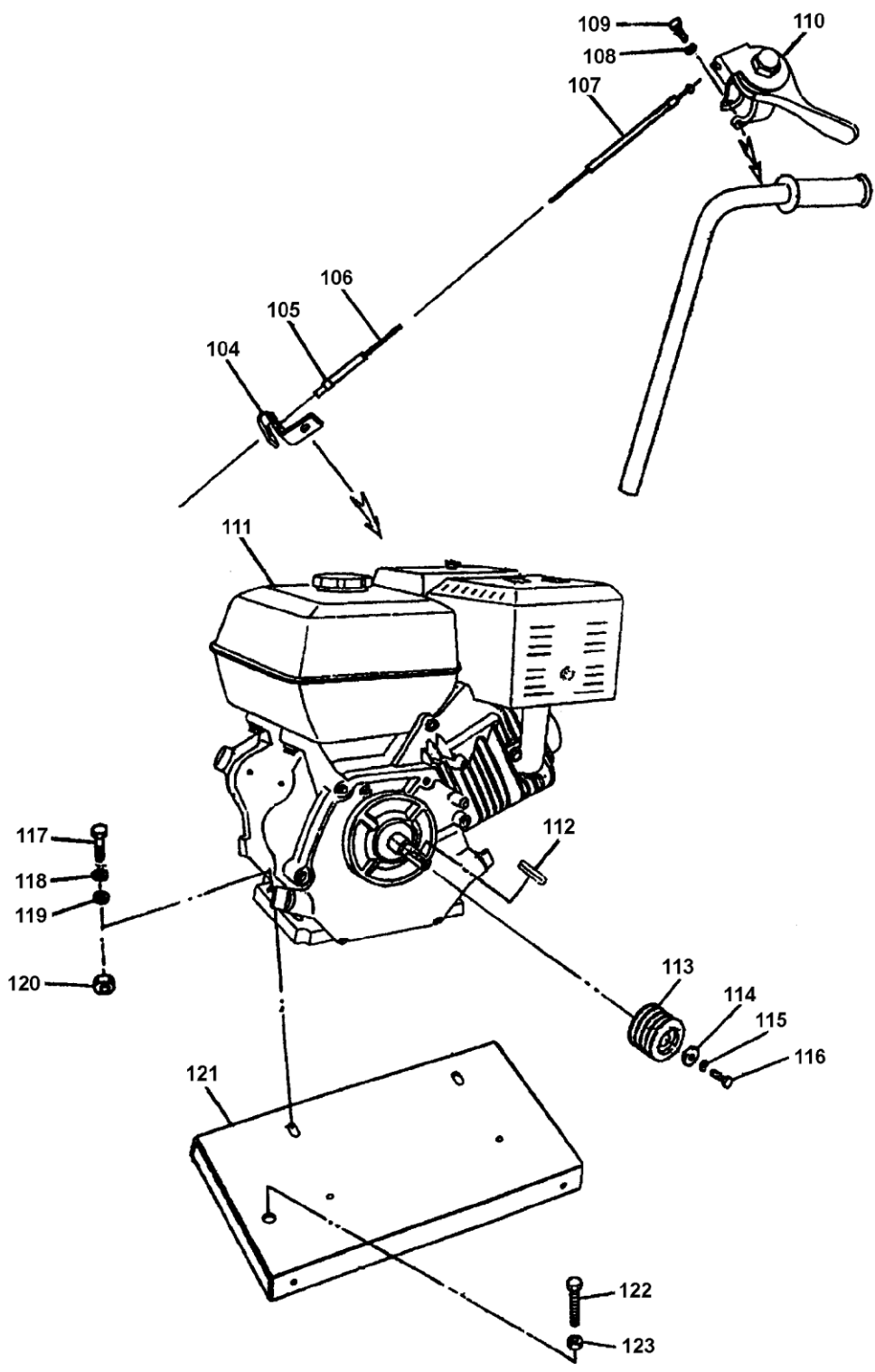
| ITEM NO. | PART NO. | DESCRIPTION | QTY |
|----------|----------|-------------------|-----|
| 46 | 2020101 | BOLT M8 X 25 | 6 |
| 47 | 2020102 | WASHER 8 | 5 |
| 48 | 2020103 | WHEEL HANDLE | 1 |
| 49 | 2020104 | BOLT M10 X 30 | 6 |
| 50 | 2020105 | WASHER 10 | 5 |
| 51 | 2020106 | BEARING ASSY. | 2 |
| 52 | 2020107 | KEY 6 X 30 | 2 |
| 53 | 2020108 | MAIN SHAFT | 1 |
| 54 | 2020109 | STEM | 1 |
| 55 | 2020110 | SPRING WASHER M10 | 1 |
| 56 | 2020111 | NUT M10 | 1 |
| 57 | 2020201 | PEDAL | 1 |
| 58 | 2020202 | LEVER | 1 |
| 59 | 2020301 | PROTECTIVE PLATE | 1 |
| 60 | 2020401 | WASHER M10 | 2 |
| 61 | 2020402 | KEY 10 X 40 | 1 |
| 62 | 2020403 | WASHER 35 | 1 |
| 63 | 2020404 | KEY 8 X 40 | 1 |
| 64 | 2020405 | SLEEVE FOR CLUTCH | 1 |
| 65 | 2020406 | BEARING ASSY. | 2 |
| 66 | 2020407 | LEFT WHEEL | 1 |
| 67 | 2020408 | WASHER 12 | 4 |
| 68 | 2020409 | SPRING WASHER 12 | 4 |
| 69 | 2020410 | BOLT M12 X 40 | 4 |
| 70 | 2020411 | REAR AXIS | 1 |
| 71 | 2020412 | WORM | 1 |
| 72 | 2020413 | SLEEVE, WORM | 1 |
| 73 | 2020414 | RIGHT WHEEL | 1 |



3. Depth Adjusting Assy.

3. Depth Adjusting Assy.

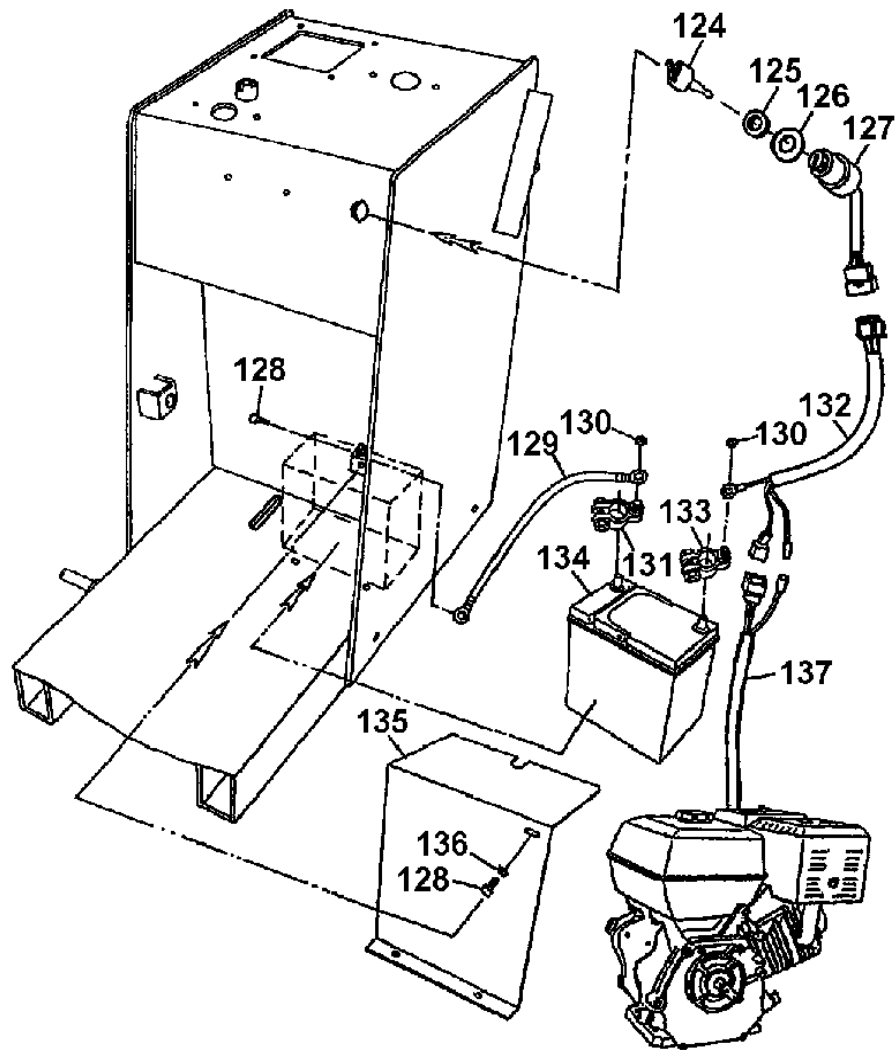
| ITEM NO. | PART NO. | DESCRIPTION | QTY |
|----------|----------|-------------------|-----|
| 74 | 2030101 | PULLING NUT | 3 |
| 75 | 2030102 | SPRING PIN 4 X 16 | 1 |
| 76 | 2030103 | SPRING | 2 |
| 77 | 2030104 | PIN | 1 |
| 78 | 2030201 | WHEEL HANDLE | 1 |
| 79 | 2030202 | BOLT M10 X 30 | 1 |
| 80 | 2030203 | WASHER 10 | 1 |
| 81 | 2030204 | BOLT M8 X 25 | 1 |
| 82 | 2030205 | WASHER 8 | 1 |
| 83 | 2030206 | BOLT M8 X 12 | 1 |
| 84 | 2030207 | BEARING ASSY. | 2 |
| 85 | 2030208 | POSITION PLATE | 2 |
| 86 | 2030209 | SCREW STEM | 1 |
| 87 | 2030210 | CONNECTING STEM | 1 |
| 88 | 2030211 | NUT M10 | 4 |
| 89 | 2030301 | RIVET | 4 |
| 90 | 2030302 | SCALE | 3 |
| 91 | 2030303 | POINTER | 1 |
| 92 | 2030401 | SPRING | 1 |
| 93 | 2030402 | CONNECTING PIPE | 1 |
| 94 | 2030403 | WASHER 12 | 1 |
| 95 | 2030404 | BOLT M12 X 70 | 1 |
| 96 | 2030501 | NUT M12 | 1 |
| 97 | 2030502 | BOLT M12 X 10 | 2 |
| 98 | 2030601 | BEARING ASSY. | 2 |
| 99 | 2030602 | SPRING WASHER 10 | 2 |
| 100 | 2030603 | BOLT | 1 |
| 101 | 2030604 | WASHER | 1 |
| 102 | 2030605 | WHEEL | 1 |
| 103 | 2030606 | WHEEL RACK MODULE | 1 |



4. Engine Assy.

4. Engine Assy.

| ITEM NO. | PART NO. | DESCRIPTION | QTY |
|----------|-----------|----------------------------------|-----|
| 104 | 2040101 | FIXING PLATE | 1 |
| 105 | 2040102 | CONNECTOR | 1 |
| 106 | 2040103 | CABLE | 1 |
| 107 | 2040104 | CABLE PIPE | 1 |
| 108 | 2040105 | SCREW M6 X 25 | 1 |
| 109 | 2040106 | WASHER M6 | 1 |
| 110 | 2040107 | THROTTLE CONTROL | 1 |
| 111 | 2040201-1 | DIESEL, KAMA 186 | 1 |
| | 2040201-2 | PETROL, 188F | 1 |
| | 2040201-3 | PETROL, EH36D | 1 |
| | 2040201-4 | PETROL, HONDA GX390K1 | 1 |
| 112 | 2040202-1 | KEY FOR DIESEL ENGINE | 1 |
| | 2040202-2 | KEY FOR PETROL ENGINE | 1 |
| 113 | 2040203-1 | PULLEY FOR DIESEL ENGINE | 1 |
| | 2040203-2 | PULLEY FOR CHINESE PETROL ENGINE | 1 |
| | 2040203-3 | PULLEY FOR ROBIN ENGINE | 1 |
| | 2040203-2 | PULLEY FOR HONDA ENGINE | 1 |
| 114 | 2040204 | WASHER M8 | 1 |
| 115 | 2040205 | SPRING WASHER M8 | 1 |
| 116 | 2040206 | BOLT M8 X 25 | 1 |
| 117 | 2040301 | BOLT M10 X 40 | 4 |
| 118 | 2040302 | SPRING WASHER M10 | 6 |
| 119 | 2040303 | WASHER M10 | 6 |
| 120 | 2040304 | NUT M10 | 2 |
| 121 | 2040305 | BASE PLATE | 1 |
| 122 | 2040306 | BOLT M16 X 10 | 1 |
| 123 | 2040307 | NUT M16 | 1 |



5. Electric Starter Assy. (Optional)

| ITEM NO. | PART NO. | DESCRIPTION | QTY |
|----------|----------|--------------------|-----|
| 124 | 2050101 | KEY | 2 |
| 125 | 2050102 | TIGHTENING SPACER | 1 |
| 126 | 2050103 | WASHER | 1 |
| 127 | 2050104 | ELECTRIC CONNECTOR | 1 |
| 128 | 2050201 | BOLT M8 X 20 | 4 |
| 129 | 2050202 | ELECTRIC CABLE | 4 |
| 130 | 2050203 | NUT M6 | 2 |
| 131 | 2050204 | PLUG NEGATIVE | 1 |
| 132 | 2050301 | WIRE | 1 |
| 133 | 2050302 | PLUG POSITIVE | 1 |
| 134 | 2050401 | BATTERY | 1 |
| 135 | 2050402 | BATTERY GUARD | 1 |
| 136 | 2050403 | WASHER M8 | 4 |
| 137 | 2050501 | WIRE | 1 |

